



TMC 3 Tactical Mesh Camera IP67 Mesh PTZ Camera

A High Performance MIMO Mesh with a HD Pan, Tilt & 30x Zoom Camera

The TMC 3 provides a simple, rugged outdoor deployable method for close observation.

It integrates a choice of leading class Mesh radios, a high definition PTZ camera and GPS positioning into a single IP67 sealed unit.

The choice of Mesh radio solution is customer defined at the time of order, all options have outstanding RF performance in both S and C bands with excellent range and data bandwidth at an optimum size and weight.

The integrated EV7520 HD Sony block camera offers a 30x optical zoom with and a 63.7° wide angle of view. It supports video resolutions up to 1080p output, along with exceptional low light sensitivity.

The camera's video is encoded into an IP stream via an integrated encoder, this produces simultaneous H.264 and MJPEG encoded streams. Configuration of the encoder including video encoding, trigger settings and network parameters is supported via a web page interface.

The pan and tilt drive trains are actuated by gearless stepper motors, reducing the operational noise to a minimum. Pan and tilt speeds are zoom factor corrected, giving fine control over the entire range of the lens.

It has absolute position feedback and therefore has the ability to self correct its actual position if external forces act upon it.

The TMC 3 also features a GPS module that provides positioning information which is made available through the Mesh radio network link.

Overview

100 Mbps MIMO Mesh

S and C Frequency Bands

RF Output Power From 1mW to 4W

Video Resolutions to 1080p

30x Zoom, Low Light HD Camera

IP Encoded Video

Velocity Control

Closed Loop Position Recall

User Presets

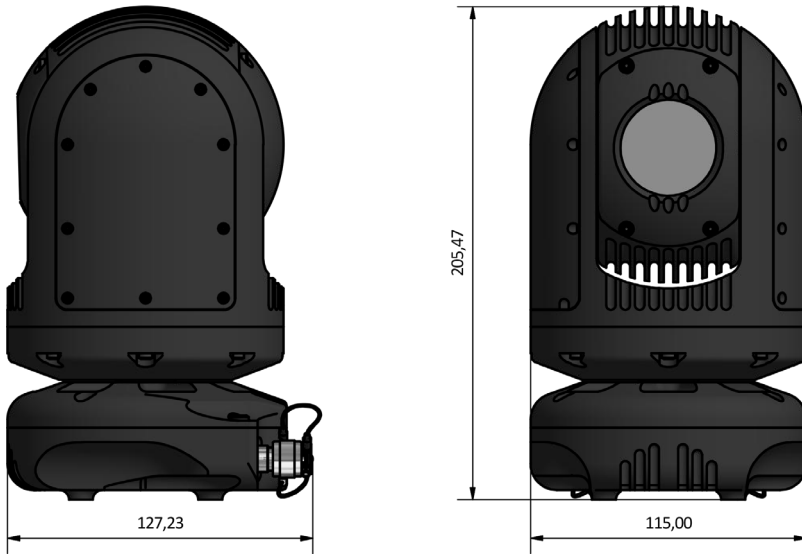
On Board Recording

Fully Encrypted

Rugged Housing

Aluminium Casing

IP67 Rated



Part Number	
TMC 3 S/C Band System	110-3097

Specifications			
Waveform	Mobile Networked MIMO	Camera Sensor	1/2.8" Type CMOS
Channel Bandwidth	5, 10, 20MHz	Camera Sensitivity	<0.05 Lux, ICR On
Encryption	DES Standard, AES/GCM 128/256 Optional (FIPS 140-2)	Camera Resolution	1920 x 1080 Pixel
Data Rate	100 Mbps, Adaptive	Field of View	63.7° (wide), 2.3° (tele)
MIMO Technologies	Spatial Multiplexing Space Time Coding, Eigen Beamforming	Pan & Tilt Range	270° tilt, Continuous pan
RF Output Power	1mW to 4W Variable	Power Input	12V
Latency	7mS Average (20MHz BW)	Power Consumption	10.8W to 30W max
RF Sensitivity	-99dBm @ 5MHz BW	Weight	< 2KG
Frequency Bands	S and C Bands	Dimensions	∅ 115 x 205.5mm
On Board Storage	Up to 32GB (Optional)	Casing	Aluminium
PTZ Control	TCP/IP, Visca, Pelco	Environmental	IP67

Visual Engineering Technologies LTD

Kemps Farm
Stanway
Colchester
Essex
CO3 8NB
UK



Tel: +44 (0)1206 211842
Web: www.visualengineering.co.uk
Email: sales@visualengineering.co.uk