



The NTCS provides a simple, rugged outdoor deployable method for close observation.

It integrates a DTC NETNode IP mesh radio, a high definition PTZ camera and GPS positioning into a single IP67 sealed unit.

NETNode IP radios can be combined in a fluid self-forming, self-healing mesh containing up to sixteen radios.

The NETNode radios within the mesh exchange data on a single frequency, simplifying frequency management.

The entire mesh occupies just 2.5MHz of bandwidth (3.0, 3.5, 5.0, 6.0 and 8.0MHz also available). The NETNode radios employ the unique DTC COFDM modulation scheme and therefore offer excellent RF penetration and performance in the presence of multipath.

The integrated EV7520 HD Sony block camera offers a 30x optical zoom with and a 63.7° wide angle of view. It supports video resolutions up to 1080p output, along with exceptional low light sensitivity.

The camera's video is encoded into an IP stream via an integrated encoder, configuration including video encoding parameters is supported via a web page interface.

The pan and tilt drive trains are actuated by gearless stepper motors, reducing the operational noise to a minimum. Pan and tilt speeds are zoom factor corrected, giving fine control over the entire range of the lens.

It has absolute position feedback and therefore has the ability to self correct its actual position if external forces act upon it.

On board recording to SD card is supported, whilst GPS positioning is available via an optional add on module.



NTCS IP Mesh PTZ Camera

An IP67 Rated Mesh Radio with a HD Pan, Tilt & 30x Zoom Camera

Overview

Frequency Range from 1.65-2.5GHz

NETNode IP Mesh Radio

2 Watt RF Output Power

Video Resolutions to 1080p

30x Zoom, Low Light HD Camera

Battery Powered

Up to 12 Hours Run Time

IP Encoded Video

Velocity Control

Closed Loop Position Recall

User Presets

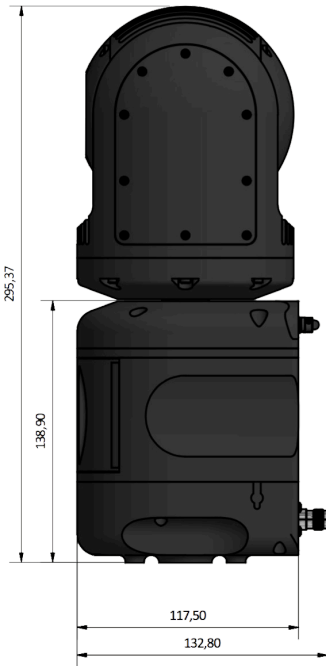
On Board Recording

Optional GPS Module

DES Encryption, Optional AES128/256

Rugged Aluminium Casing

IP67 Rated



Part Number	
NTCS 1.65-2.5GHz -2W	110-3687

The complete kit, which comes in a foam lined case:

- 1 x NTCS Mesh Camera 110-4114
- 1 x Dual Li-Ion Battery Charger 110-8709
- 4 x Li-Ion Battery Pack (4S1P) 110-8401
- 2 x Antenna - DBA Series 110-4021
- 1 x Fischer CAT 5 Cable 110-3507
- 1 x Passive PoE Cable Set 110-8301
- 1 x Power Supply - AC DC 12V 3A 110-8910
- 1 x PSU 12V 5A 110-8815
- 1 x IEC to UK Power Cord 2M 110-8642



Dual battery configuration allows a low level battery to be swapped out during run time.

Specifications			
Frequency	1.65GHz to 2.5GHz	Camera Sensor	1/2.8" Type CMOS
Channel Bandwidth	2.5, 3, 5, 6MHz	Camera Sensitivity	<0.05 Lux, ICR On
Modulation	COFDM 360 Carrier	Camera Resolution	1920 x 1080 Pixel
Data Capacity	Up to 8.8Mb/s	Field of View	63.7° (wide), 2.3° (tele)
RF Output Power	2 Watt	Pan & Tilt Range	270° Tilt, Continuous Pan
Receive Sensitivity	-98dBm	GPS	Optional Add On Module
Typical Range	Line of Sight 60km Light Urban 5km	Run Time	Up to 12 Hours
Max Nodes	16	Weight	3KG
Encryption	DES, Optional AES128 or AES256	Dimensions	295 x 117.5 x 115mm
On Board Storage	32GB	Casing	Aluminium
Video Streaming	RTSP over TCP or UDP	Environmental	IP67

Visual Engineering Technologies LTD

Kemps Farm
Stanway
Colchester
Essex
CO3 8NB
UK



Tel: +44 (0)1206 211842
Web: www.visualengineering.co.uk
Email: sales@visualengineering.co.uk