



HD Cam IP Helmet Camera

Full HD IP Camera Which
Mounts onto a Picatinny Rail

The HD Cam is a full HD IP camera which can be connected directly onto a helmet Picatinny rail mount, making it suitable for use in tactical situations.

The camera integrates directly with the Visual Engineering Body Worn Mesh Radio. When coupled with the BWM it provides a complete end to end surveillance system.

The camera has exceptional performance in low light conditions and is supplemented with built in Infrared or white light LED illumination.

The HD Cam supports variable video resolutions, which ranges from 1920x1080 down to 320x240. Variable frame rate and bitrate adjustments are also possible. All of these parameters can be configured via a web browser interface.

The outer casing is CNC machined aluminium, this rugged build together with its IP67 environmental rating produces a camera that is fit for deployment into tactical field operations.

The camera is designed to have efficient use of power, all connections including power and IP video are combined into one Fisher connector on the rear of the housing.

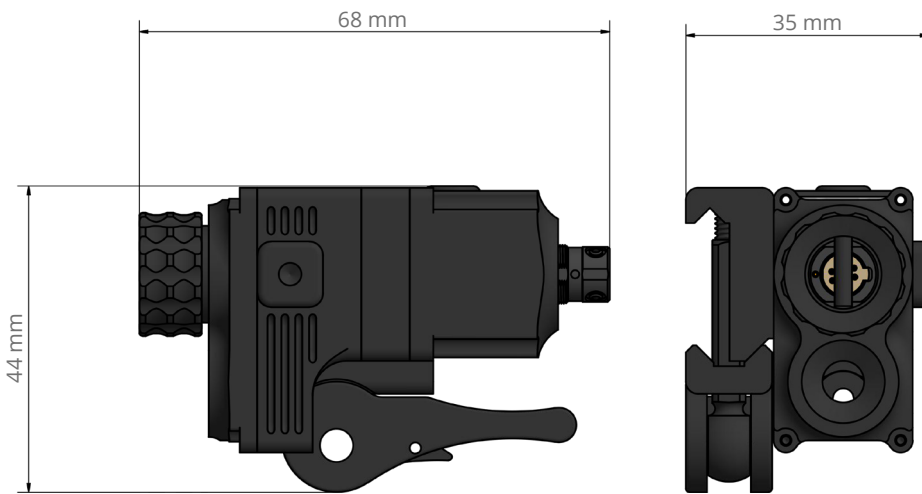
A button mounted on the top of the camera controls the activation state of the LED illuminator. At initial power on the LED will switch on in low light levels determined by the integrated ambient light sensor. Following power on if the button is pressed it will disable the LED regardless of light level. Further presses of the button will cycle the LED to first switch back to auto state and then off and so on.

Custom cable assemblies are available on request to interface with leading body worn radios from Silvus and TrellisWare.

Overview
Helmet Camera System
Picatinny Rail Mount
Variable Resolution
1920x1080p Maximum
H.264 Video Encoding
Low Light Camera
Sensitivity of 0.05Lux
IR or White LED Illumination
LED Auto or Off Selectable
SD Card Recording Option
Body Worn Radio Interface
Web Page Configuration
Low Weight
Compact Form
Designed for Tactical Operations
Custom Cables Available



The camera connects directly to a Picatinny helmet rail mount.



Part Number	
HD Cam	110-8908

Specifications

Camera Sensor	1/3" CMOS	Connector	Fisher
Camera Sensitivity	0.05 Lux, no IR Filter 0.1 Lux, with IR Filter	Power	12v, 1.4W (IR Off)
Max Resolution	1920 x1080p	Recording Option	Micro SD card
Video Encoding	Dual H.264 and MJPEG	Weight	96g 3.4oz
Streaming Protocol	RTSP over TCP or UDP	Environmental	IP67
IR LED	2W, 940nm 5 to 10m Range	Casing	Aluminium
Field of View	90° or 60° optional Changeable M12 lens	Dimensions	68 x 44 x 35 mm 2.7 x 1.7 x 1.4 inches

Visual Engineering Technologies LTD

Kemps Farm
Stanway
Colchester
Essex
CO3 8NB
UK



Tel: +44 (0)1206 211842
Web: www.visualengineering.co.uk
Email: sales@visualengineering.co.uk